

ALAMO SOAP DISPENSER

TOUCH-FREE SOAP DISPENSER

SPECIFICATIONS

Touch-free electronic soap dispenser for deck-mounted installations. Activated by infrared sensor. Chrome plated body, other finishes available. Includes a 1 liter soap bottle and bottle support. With a designated peristaltic pump that prevents clogging and back flow. Remote installation option: extension cable and longer piping. Adjustable settings by remote control: soap quantity, soap tank refill, temporary off and reset to factory settings.

OPERATION

Touch-free electronic soap dispenser operated by infrared sensor. The soap dispenser automatically activates when users place their hands within sensor range, providing a measured amount of soap (adjustable by remote control). If the users remove the hand before the full amount is dispensed, the soap dispenser immediately stops the soap flow.

APPLICATION

With the dripless automatic shutoff, this soap dispenser helps washroom organization and cleanliness. Combined with the touch-free electronic faucet, it creates a germ-free automated environment. Ideal for Ideal for stadiums, train and bus stations and highway rest stops.

PRODUCT AT A GLANCE

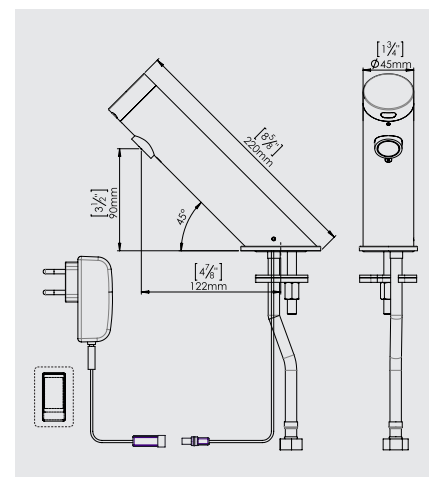
Installation	Deck-mounted
Power	<ul style="list-style-type: none"> • 9V battery • 12V transformer
Soap	1 Liter soap bottle. Peristaltic pump enables the use of any kind of liquid soap, detergent or antibacterial gel
Soap Dose	Default setting: 1.4 cc Adjustable by remote control in accordance to the selected soap.
Soap Viscosity	100-3800 cPs
Refill	Soap priming operated by remote control or by easy-to-use manual refill button

ORDERING INFORMATION

PRODUCT NAME	POWER	PART NUMBER
ALAMO SOAP DISPENSER	9V battery	KSL00915
	12V transformer	

SOAP DISPENSERS OPTIONS

PRODUCT NAME	PART NUMBER
Remote control	KSL01060
Matching touch-free faucet	KSL00495
6-pack: 6 soap dispensers and a remote control	KSL00916
Multifeed system for up to 6 soap dispensers	Upon request



Kassel Sanitär S.L.

- Avda. de Castilla, 1 - Polígono Industrial, 28830 San Fernando de Henares, Madrid, Spain
- Daimlerstraße 2, D-93133 Burglengenfeld, Germany

Tel. +34 916 778 993 | Fax. +34 916 777 774 | info@kassel.es | www.kassel.es