

ALCALÁ I

TOUCH-ACTIVATED ELECTRONIC FOOT WASHER

SPECIFICATIONS

Self-closing, solid brass, wall mounted foot washer. Touch operated by piezo switch. Built-in filter. Internal 9V battery. Maximizes hygiene and saves water. With easily cleanable silicone nozzles. Default flow time of 8 seconds, adjustable on site. Unique On/Off function allowing the flow to be stopped mid-cycle for addition water saving. Optional automatic 24 hour hygiene flush.

OPERATION

Touching the designated area starts an 8 seconds flow cycle. A second touch before the flow time is over will stop the water flow. The flow time is adjustable on site. Features an optional anti Legionella and freeze protection hygiene flush every 24 hours.

APPLICATION

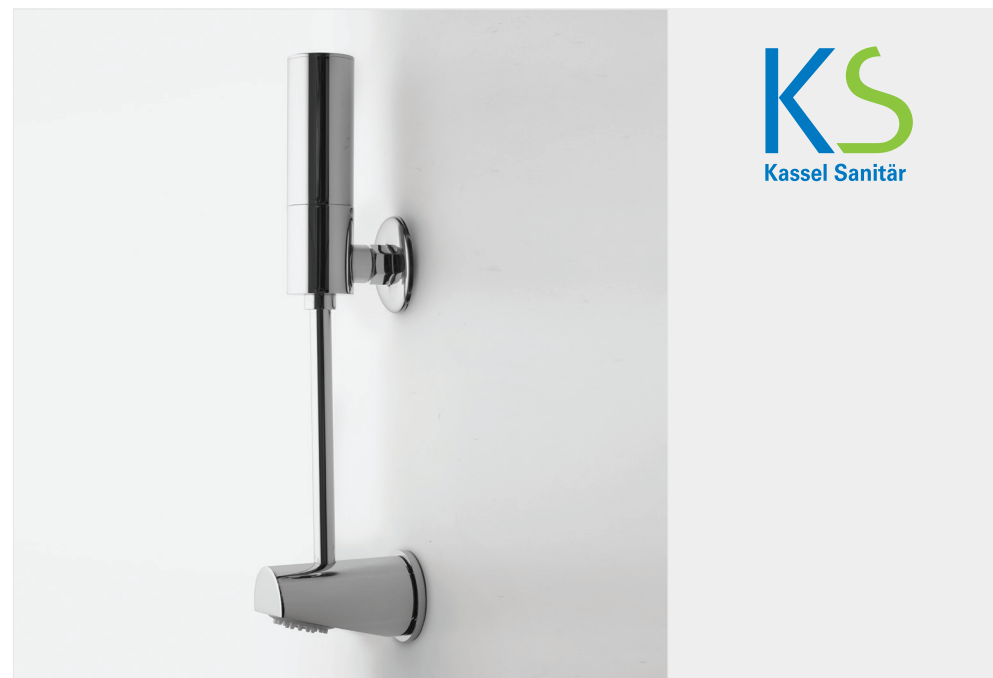
Kassel's self-closing foot wash control provides an electronically-controlled accurate discharge with comfortable operation. Ideal for swimming pools, beaches and ablution at places of worship.

PRODUCT AT A GLANCE

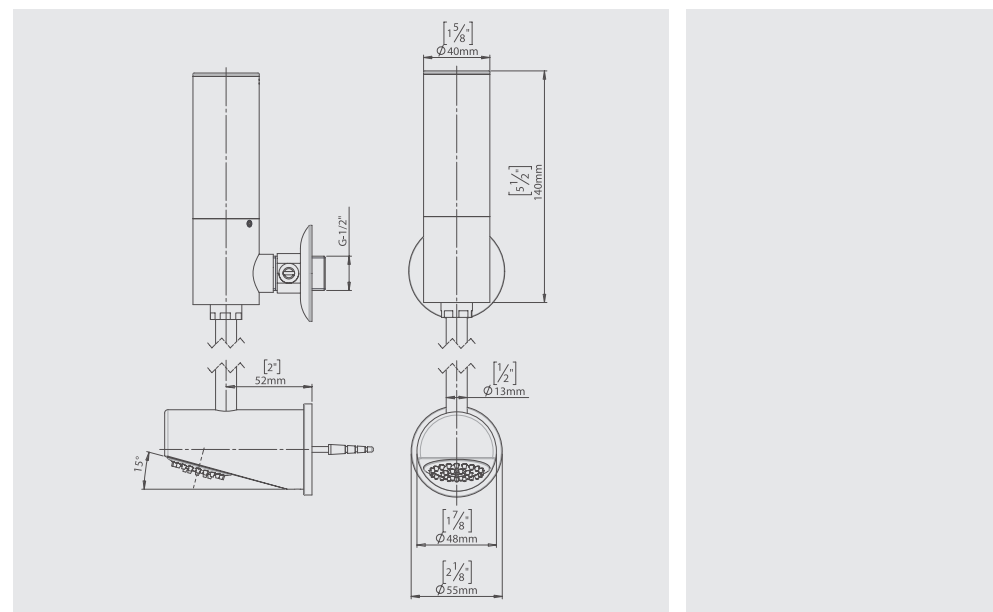
Installation	Exposed wall mounted
Power Supply	9V battery
Operating pressure	1.0-6.0 bar (15.0-88.0 PSI)
Water supply	Cold and premixed water
Water flow	9 lpm / 2.38 gpm
Water Saving Options	7 lpm / 1.85 gmp / 6 lpm / 1.59 gmp - Flow restrictor
Flow Time	8 seconds default factory time. Adjustable on site

ORDERING INFORMATION

PRODUCT NAME	PART NUMBER	POWER OPTIONS	ADDITIONAL FEATURES
ALCALÁ I	KSL00406	9V BATTERY	EXPOSED INSTALLATION



KS
Kassel Sanitär



Kassel Sanitär S.L.

- Avda. de Castilla, 1 - Polígono Industrial, 28830 San Fernando de Henares, Madrid, Spain
- Daimlerstraße 2, D-93133 Burglengenfeld, Germany

Tel. +34 916 778 993 | Fax. +34 916 777 774 | info@kassel.es | www.kassel.es