

# ALFARO VISTO

## TOUCH-FREE ELECTRONIC FLUSH VALVE FOR URINALS

### SPECIFICATIONS

Exposed electronic flush valve for urinals, activated by infrared sensor. Powered by an internally mounted 9V battery. Shut-off valve and filter included. Chrome plated body construction. Sensor range is adjustable manually and by remote control. Other sensor settings (delay in, delay out and flush time) can also be adjusted by remote control. Sensor features a low battery indicator. 24 hours Hygiene flushing by default and Prior flush upon request.

### OPERATION

Touch free electronic flush valve for urinals. Water will start flushing when user walks away from the urinal.

### APPLICATION

Helps washrooms to stay neat and cleaner, saves water. Ideal for educational institutions, gas stations, restaurants. Due to its minimalistic style it's also perfect for any locations with high design standards.

### PRODUCT AT A GLANCE

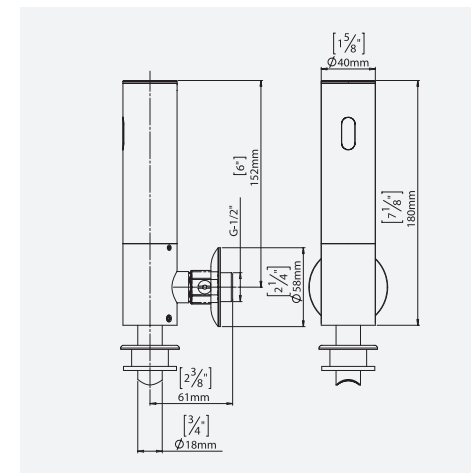
<b>Installation</b>	Exposed
<b>Power Supply</b>	9V internal battery
<b>Prior flushing</b>	2 seconds after detecting a user (optional)
<b>Hygiene flushing</b>	Every 24 Hours for 6 seconds after the last activation
<b>Operating pressure</b>	0.5 - 8.0 bar (7 - 116 PSI)

### ORDERING INFORMATION

PRODUCT NAME	PART NUMBER	POWER OPTIONS
ALFARO VISTO	KSL00400	9V internal battery

### OPTIONAL ACCESSORIES

PRODUCT NAME	PART NUMBER
Remote Control	KSL01030



### Kassel Sanitär S.L.

- Avda. de Castilla, 1 - Polígono Industrial, 28830 San Fernando de Henares, Madrid, **Spain**
- Daimlerstraße 2, D-93133 Burglengenfeld, **Germany**

Tel. +34 916 778 993 | Fax. +34 916 777 774 | info@kassel.es | www.kassel.es