

# ÁMBAR

## ELECTRONIC SHOWER CONTROL

### SPECIFICATIONS

Touch-free electronic shower control. Activated by tivated by infrared Wave On/Off sensor. For cold and premixed water. Includes filter. All components are located inside the product body for added vandal protection. Powered by a 9V battery or a 9V transformer. 24 hour hygiene flush is included. The shower will automatically shut off after a factory set flow time of 2 minutes. Flow time is adjustable on site.

### OPERATION

Touch free electronic shower control. The shower would be activated once the user presents his hand within the sensor range and will stop when the hand is presented again or after a preset cycle of 120 sec.

### APPLICATION

The easy wave action allows use by young children, the elderly and the disabled. Ideal for hospitals, hotels, spas, resorts, swimming pools and private residences.

### PRODUCT AT A GLANCE

<b>Installation</b>	Concealed installation in concrete, brick walls
<b>Power Supply</b>	• 9V battery • 9V transformer
<b>Operating pressure</b>	0.5-8.0 bar (15.0 - 116.0 PSI).
<b>Water Supply</b>	Cold and premixed water
<b>Water Temperature</b>	70°C Maximum

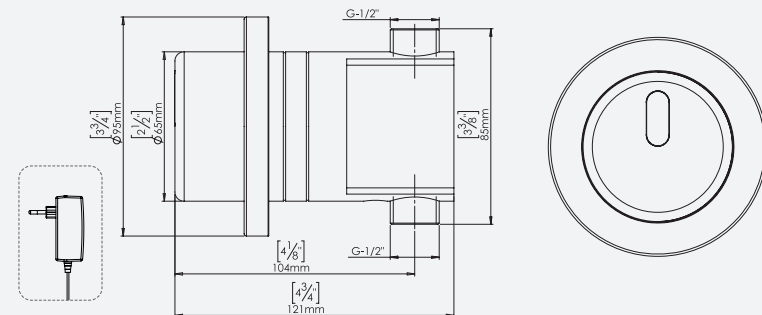
### ORDERING INFORMATION

MODEL	CODE	POWER
ÁMBAR	KSL00720	9V battery/ 9V transformer

### OPTIONS

OPTION	CODE
REMOTE CONTROL	KSL01030

**KS**  
Kassel Sanitär



### Kassel Sanitär S.L.

- Avda. de Castilla, 1 - Polígono Industrial, 28830 San Fernando de Henares, Madrid, **Spain**
- Daimlerstraße 2, D-93133 Burglengenfeld, **Germany**

Tel. +34 916 778 993 | Fax. +34 916 777 774 | [info@kassel.es](mailto:info@kassel.es) | [www.kassel.es](http://www.kassel.es)