

ALFARO MURAL

TOUCH-FREE ELECTRONIC URINAL FLUSH VALVE

SPECIFICATIONS

Touch-free electronic flush valve for urinals. Activated by infrared sensor. Shut-off valve, filter and low battery indicator are included. Powered by a 9V battery or a 9V transformer. 24 hours hygiene flush is included. Pre flush optional upon request. Metallic panel in satin finish. Adjustable settings by remote control: sensor range, security time, delay in, delay out, on-off and reset to factory settings.

OPERATION

Touch-free electronic flush valve for urinals. The water will flush once the user moves away from the urinal.

APPLICATION

Helps washrooms stay clean and saves water. Ideal for educational institutions, gas stations and restaurants. Its minimalistic style makes it perfect for locations with high design standards.

PRODUCT AT A GLANCE

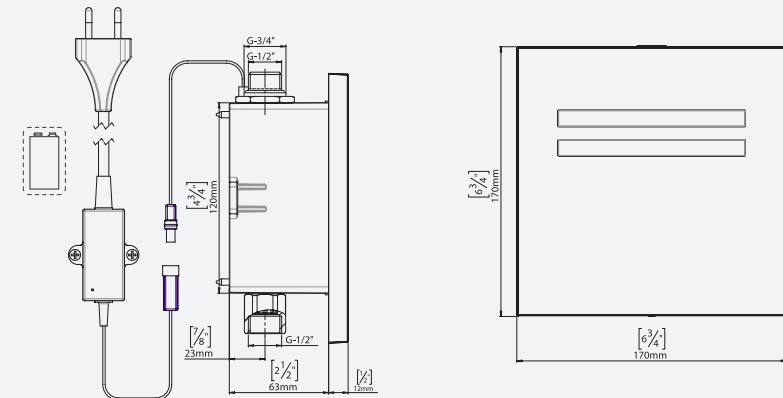
Installation	Concealed. Iron frame available
Power Supply	<ul style="list-style-type: none"> • 9V battery • 9V transformer
Operating pressure	05-8.0 bar / 7.0-116.0 PSI
Water flow	1.89 LPF / 0.5 GPF
Water saving option	0.47 LPF / 0.125 GPF

ORDERING INFORMATION

PRODUCT NAME	PART NUMBER	POWER OPTIONS
ALFARO MURAL	KSL00415	<ul style="list-style-type: none"> • 9V battery • 9V transformer

OPTIONAL ACCESSORIES

PRODUCT NAME	PART NUMBER
Remote Control	KSL01030



Kassel Sanitär S.L.

- Avda. de Castilla, 1 - Polígono Industrial, 28830 San Fernando de Henares, Madrid, **Spain**
- Daimlerstraße 2, D-93133 Burglengenfeld, **Germany**

Tel. +34 916 778 993 | Fax. +34 916 777 774 | info@kassel.es | www.kassel.es