

BAIONA DÚO

TOUCH-FREE ELECTRONIC LAVATORY FAUCET

SPECIFICATIONS

Touch-free electronic faucet for deck-mounted installations. Included a mixer for water temperature adjustment for hot and cold water. Activated by Infrared sensor. Chrome plated body, other finishes available. Battery version includes a low battery indicator. With an Infrared sensor and a solenoid valve inside the product body for added vandal resistance. Adjustable settings by remote control: Sensor range, Security time, Delay In, Delay Out and On-Off. 24 hour mandatory hygiene flush option can be provided upon request.

OPERATION

Touch-free electronic faucet operated by an infrared sensor. The faucet automatically activates when users place their hands within sensor range and stops when they remove them from the sensor range.

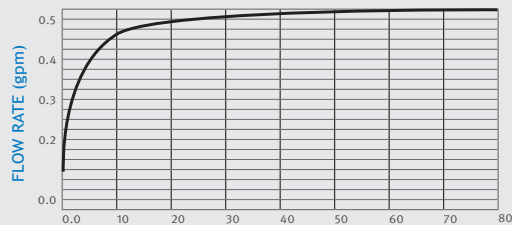
APPLICATION

Touch-free electronic faucet for deck-mounted installations. Installed as a regular faucet. Connect the transformer or battery to complete the installation. With its minimalist design, the faucet is perfectly balanced with rounded edges and smooth transitions. Ideal for stadiums, train and bus stations and highway rest stops.

PRODUCT AT A GLANCE

Installation	Lavatory mounted
Power Supply	• 9V battery • 9V transformer
Operating pressure	0.5-8.0 BAR / 7.0-116.0 PSI
Water Supply	Hot and cold water
Water flow	6 lpm / 1.58gpm SSR PCA stream
Water Saving Options	4 lpm / 1 gpm ; 3 lpm / 0.8 gpm ; 1.89 lpm / 0.5 gpm ; 1.3 lpm / 0.35 gpm - PCA spray
Water temperature	Max 70°
Security Time	90 seconds. Adjustable by remote control

FLOW RATE vs PRESSURE



LINE PRESSURE (PSI)

This graph applies to 0.5 GPM option only.

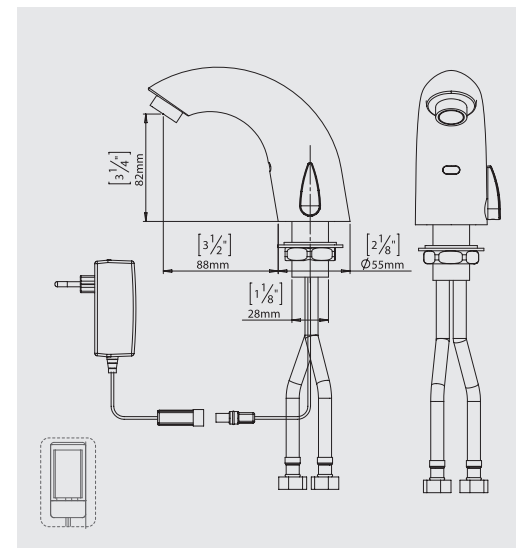
OPTIONAL ACCESSORIES

PRODUCT NAME	PART NUMBER
REMOTE CONTROL	KSL01030
Matching BAIONA N soap dispenser	KSL00927

ORDERING INFORMATION

PRODUCT NAME	PART NUMBER	POWER OPTIONS	ADDITIONAL SPECIFICATIONS
BAIONA DÚO	KSL00110	9V battery	With mixer for water temperature adjustment
		9V transformer	

KS
Kassel Sanitär



Kassel Sanitär S.L.

- Avda. de Castilla, 1 - Polígono Industrial, 28830 San Fernando de Henares, Madrid, **Spain**
- Daimlerstraße 2, D-93133 Burglengenfeld, **Germany**

Tel. +34 916 778 993 | Fax. +34 916 777 774 | info@kassel.es | www.kassel.es