

SPECIFICATIONS

Touch-free electronic lavatory faucet, activated by an infrared sensor. For cold or premixed water. Powered by a 9V internal battery. Filters included. One piece solid brass body for added vandal resistance. AB 1953 lead free. Sensor range is adjustable manually and by remote control. Other sensor settings (delay in, delay out, security time) can also be adjusted by remote control. The faucet will automatically shut off after 90 seconds of use. Includes a low battery level indicator.

OPERATION

Touch-free electronic faucet operated by an infrared sensor. The faucet automatically activates when users place their hands within sensor range and stops when they remove them from the sensor range.

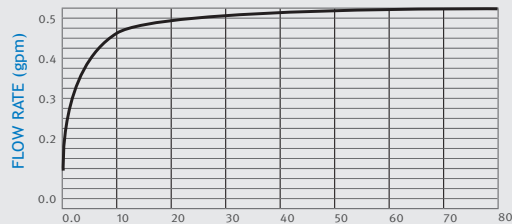
APPLICATION

Deck-mounted faucet combining an elegant design with anti-vandal features. Helps washrooms cleanliness, saves water and prevents cross contamination. Long lasting even in the harshest installation sites. Ideal for transportation hubs, train and bus stations, highway rest stops and stadiums.

PRODUCT AT A GLANCE

Installation	Deck-mounted
Power Supply	9V internal battery
Operating pressure	0.5-8.0 bar / 7.0-116.0 psi For greater water pressure please use a pressure reducing valve
Water Supply	Cold or premixed water
Water flow	6 lpm / 1.58 gpm SSR PCA stream
Water Saving Options	4 lpm / 1 gpm ; 3 lpm / 0.8 gpm ; 1.89 lpm / 0.5 gpm ; 1.3 lpm / 0.35 gpm - PCA spray
Water temperature	70°C Maximum
Security Time	Auto shutoff after 90 seconds. adjustable by remote control

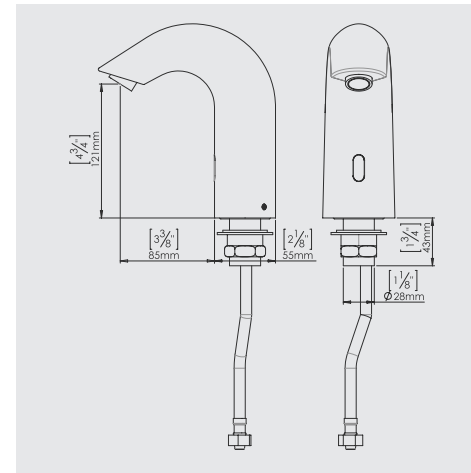
FLOW RATE vs PRESSURE



This graph applies to 0.5 GPM option only.

OPTIONAL ACCESSORIES

PRODUCT NAME	PART NUMBER
REMOTE CONTROL	KSL01030
Matching soap dispenser	KSL00927



ORDERING INFORMATION

PRODUCT NAME	PART NUMBER	POWER OPTIONS	ADDITIONAL SPECIFICATIONS
BAIONA N	KSL00491	9V internal battery	AB 1953 Lead Free

Kassel Sanitär S.L.

- Avda. de Castilla, 1 - Polígono Industrial, 28830 San Fernando de Henares, Madrid, Spain
- Daimlerstraße 2, D-93133 Burglengenfeld, Germany

Tel. +34 916 778 993 | Fax. +34 916 777 774 | info@kassel.es | www.kassel.es