

CONTACT SERIES TOUCH-ACTIVATED ELECTRONIC LAVATORY FAUCET

SPECIFICATIONS

Electronic self-closing lavatory faucet, operated by touch. For cold or premixed water. Lead free. Available with a 9V battery or a 9V transformer. LED ring illumination available. Latching solenoid valve is located above deck inside the product. Filters included. The faucet will automatically shut off after a flow time of 8 seconds. The flow time is adjustable on site as required.

OPERATION

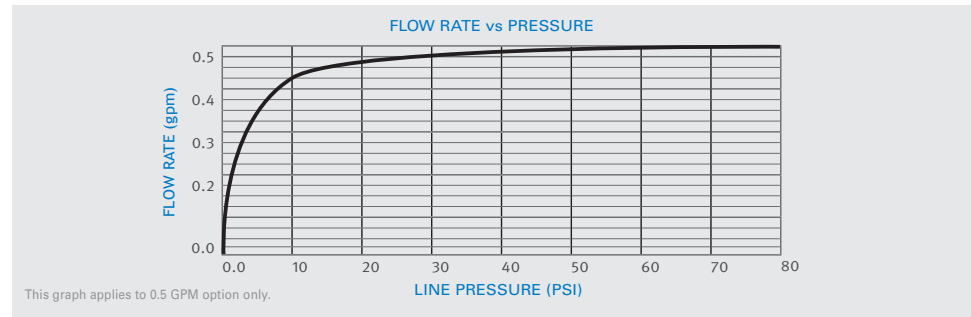
Touch-activated electronic faucet. The faucet automatically activates when users touch the designated area on the faucet cap and stops after an 8 second flow cycle. The flow can be shut off manually before the cycle is over with a second touch. The BRE version features ring illumination - a ring of light blinks as the water flow.

APPLICATION

Touch-activated electronic faucet for deck-mounted installations. Combines an elegant design with vandal protection features. Long lasting even in the harshest installation sites. Helps washrooms cleanliness and saves water. Ideal for transportation hubs, train and bus stations, stadiums, and highway rest stops.

PRODUCT AT A GLANCE

Installation	Lavatory mounted
Power Supply	9V battery • 9V transformer
Operating pressure	0.5-8.0 bar / 7.0-116.0 psi
Water supply	Cold and premixed water
Water flow	6 LPM / 1.58 GPM - SSR PCA stream
Water Saving Options	4 LPM / 1 GPM ; 3 LPM / 0.8 GPM 1.89 LPM / 0.5 GPM ; 1.3 LPM 0.35 GPM - PCA spray
Water temperature	70°C Maximum
SecurityTime	90 seconds. Adjustable with a remote control.

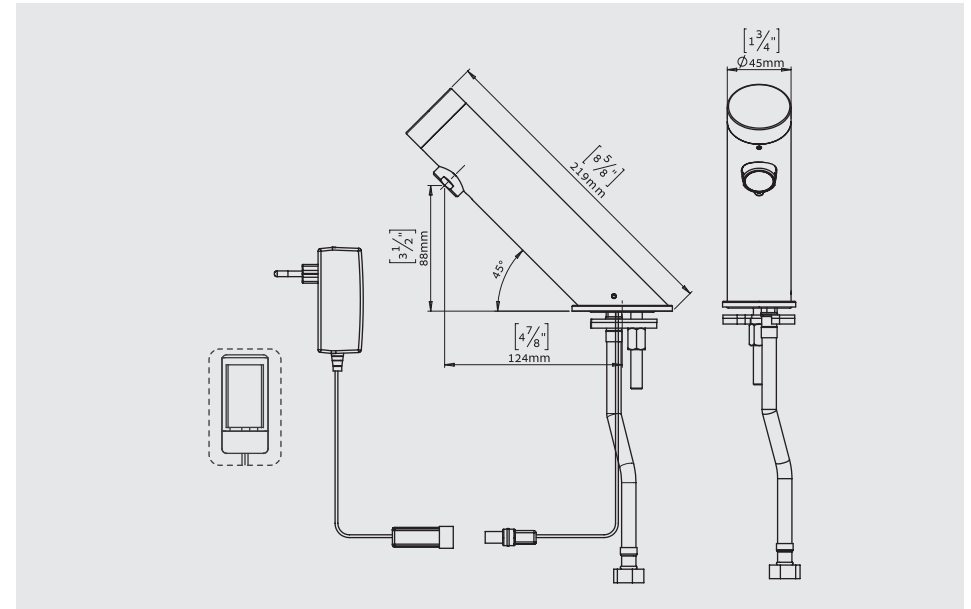


ORDERING INFORMATION

PRODUCT NAME	CODE	POWER	ADDITIONAL SPECIFICATIONS
CONTACT	KSL00225	9V battery or 9V transformer	Lead free
CONTACT DÚO	KSL00245	9V transformer	Lead free
CONTACT INTERNAL BATTERY	KSL00220	Internal 9V battery	Lead free
CONTACT DÚO INTERNAL BATTERY	KSL00240	Internal 9V battery	Lead free



KS
Kassel Sanitär



Kassel Sanitär S.L.

- Avda. de Castilla, 1 - Polígono Industrial, 28830 San Fernando de Henares, Madrid, Spain
- Daimlerstraße 2, D-93133 Burglengenfeld, Germany

Tel. +34 916 778 993 | Fax. +34 916 777 774 | info@kassel.es | www.kassel.es