

CORELLA CONTACT SHOWER PANEL

SELF-CLOSING ELECTRONIC SHOWER PANEL

SPECIFICATIONS

Self-closing electronic shower panel. Activated by touching the designated piezo button. For cold and premixed water, non-return valves and filters. With an aluminum panel and a solid shower head. Powered by a 9V battery box or a 9V transformer. The battery box is located behind the panel with easy access. Includes a vandal resistant shower head with easily cleaned silicone nozzles. The water flow will automatically shut off after a factory set flow time of 2 minutes. Flow time is adjustable on site. Includes an adjustable 24 hour hygiene activation.

OPERATION

When users touch the designated area in the middle of the piezo button, a flow cycle of 2 minutes is activated. A second touch stops the water flow before the default flow time has passed.

APPLICATION

The easy touch activation allows for use by young children, the elderly and the disabled. Ideal for outdoor and indoor applications, retrofit installations, hospitals, hotels, spas, resorts, swimming pools, gyms and private residences.

PRODUCT AT A GLANCE

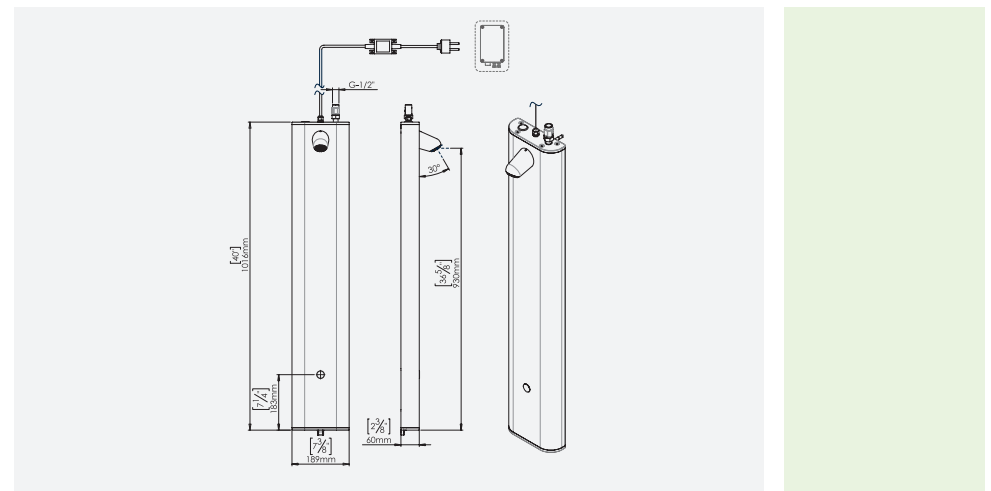
Installation	Exposed
Power Supply	• 9V battery • 9V transformer
Operating pressure	0.5-8.0 bar (15.0 - 116.0 PSI).
Water Supply	Hot and cold water
Water flow	9 LPM / 2.38 GPM
Water Saving Options	3.5 LPM/0.93 GPM, 4LPM/1.05 GPM, 5 LPM/1.32 GPM 6 LPM/1.59 GPM, 7 LPM/1.85 GPM
Water Temperature	70°C Maximum

ORDERING INFORMATION

MODEL	CODE	POWER
CORELLA CONTACT SHOWER PANEL	KSL00810	9V battery/ 9V transformer



KS
Kassel Sanitär



Kassel Sanitär S.L.

- Avda. de Castilla, 1 - Polígono Industrial, 28830 San Fernando de Henares, Madrid, **Spain**
- Daimlerstraße 2, D-93133 Burglengenfeld, **Germany**

Tel. +34 916 778 993 | Fax. +34 916 777 774 | info@kassel.es | www.kassel.es