

# PETRA M

## TOUCH-FREE ELECTRONIC DECK-MOUNTED FAUCET

### SPECIFICATIONS

Touch-free deck-mounted electronic faucet. Activated by an infrared sensor. For cold or premixed water. Chrome plated body, other finishes available. Adjustable settings by remote control: sensor range, security time, delay in, delay out, on-off and reset to factory settings.

### OPERATION

The faucet will automatically activate when users place their hands in the sensor range and will stop once the users remove their hands.

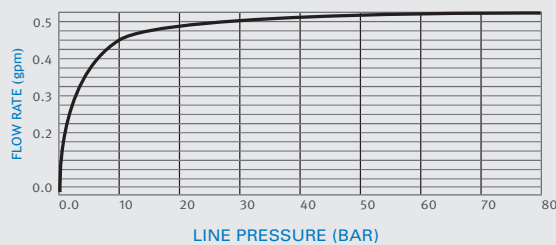
### APPLICATION

Deck-mounted faucet. Combines a minimalistic square design with vandal resistant features. Helps washrooms stayclean and saves water. Easy installation. Long lasting even in the harshest installation sites. Ideal for shopping malls, sport facilities and entertainment centers.

### PRODUCT AT A GLANCE

<b>Installation</b>	Deck mounted
<b>Power Supply</b>	<ul style="list-style-type: none"> <li>Battery box for 6 x 1.5 V AA alkaline batteries</li> <li>9 V transformer</li> </ul>
<b>Operating pressure</b>	0.5-8.0 bar / 7.0-116.0 psi
<b>Water Supply</b>	Cold and premixed water
<b>Water flow</b>	6 LPM / 1.58 GPM - SSR PCA stream
<b>Water Saving Options</b>	4 LPM / 1 GPM ; 3 LPM / 0.8 GPM 1.89 LPM / 0.5 GPM ; 1.3 LPM 0.35 GPM - PCA spray
<b>Water Temperature</b>	70°C Maximum
<b>Security Time</b>	Auto shutoff after 90 seconds. adjustable by remote control

FLOW RATE vs PRESSURE



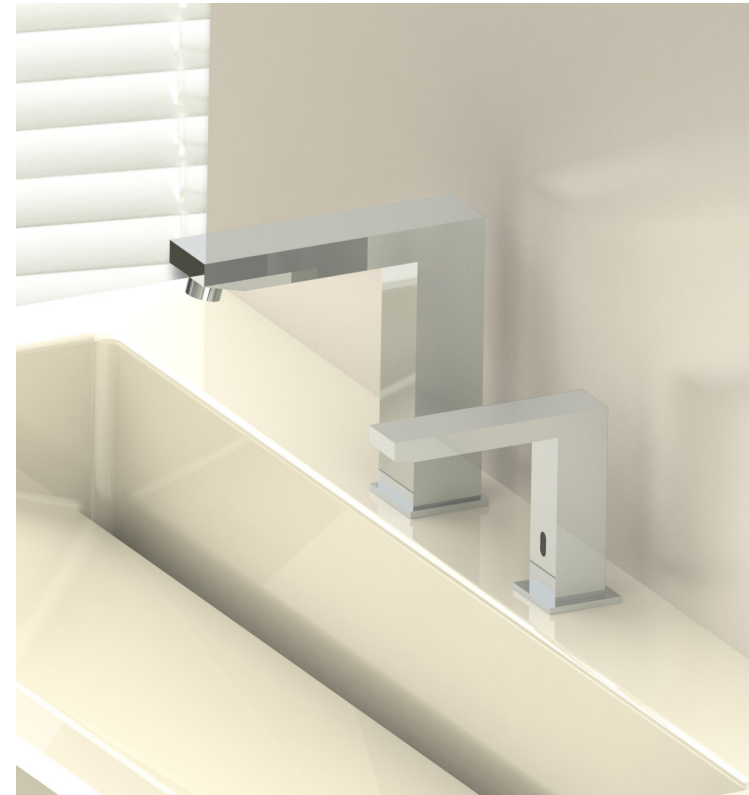
This graph applies to 0.5 GPM option only.

### OPTIONAL ACCESSORIES

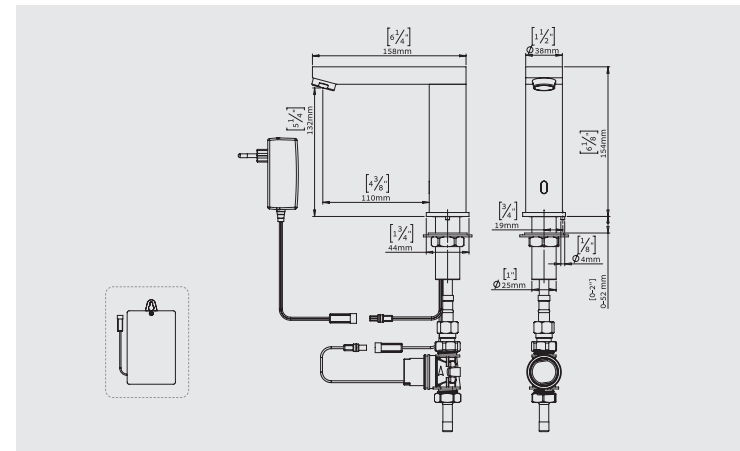
PRODUCT NAME	PART NUMBER
Remote Control	KSL01030
Matching soap dispenser PETRA M SOAP DISPENSER	KSL00977
Matching foam dispenser PETRA M ESPUMA FOAM DISPENSER	KSL00917

### ORDERING INFORMATION

PRODUCT NAME	PART NUMBER	POWER OPTIONS
PETRA M	KSL00365	<ul style="list-style-type: none"> <li>Battery box for 6 x 1.5 V AA alkaline batteries</li> <li>9 V transformer</li> </ul>



**KS**  
Kassel Sanitär



### Kassel Sanitär S.L.

- Avda. de Castilla, 1 - Polígono Industrial, 28830 San Fernando de Henares, Madrid, Spain
- Daimlerstraße 2, D-93133 Burglengenfeld, Germany

Tel. +34 916 778 993 | Fax. +34 916 777 774 | info@kassel.es | www.kassel.es