

ESPEJO ESPUMA FOAM DISPENSER

SPECIFICATIONS

Touch-free electronic foam dispenser for concealed installation behind the mirror. Activated by infrared sensor. Chrome plated spout. Includes a 1 liter soap bottle and bottle support. To be used with non-proprietary soap for maximum savings. Adjustable settings by remote control: Soap dosage, air quantity ("foamability"), soap tank refill, temporary off and reset to factory settings.

OPERATION

Touch-free electronic foam soap dispenser operated by infrared sensor. The foam dispenser automatically activates when users place their hands within sensor range, providing a measured amount of foam (adjustable by remote control). If the users remove the hand before the full amount is dispensed, the soap dispenser immediately stops the foam flow.

APPLICATION

The concealed, easy installation behind the washroom mirror offers an elegant, sleek and minimalistic design, ideal for office buildings, hotels and leisure sites, airports and transportation hubs and luxurious commercial locations.

PRODUCT AT A GLANCE

Installation	Concealed Behind The Mirror
Power	12V transformer
Soap	1 Liter soap bottle The peristaltic pump enables the use of any kind of liquid soap, detergent or antibacterial gel
Soap Viscosity	Up to 100 cPs
Refill	Soap priming by remote control or by an easy-to-use manual refill button

ORDERING INFORMATION

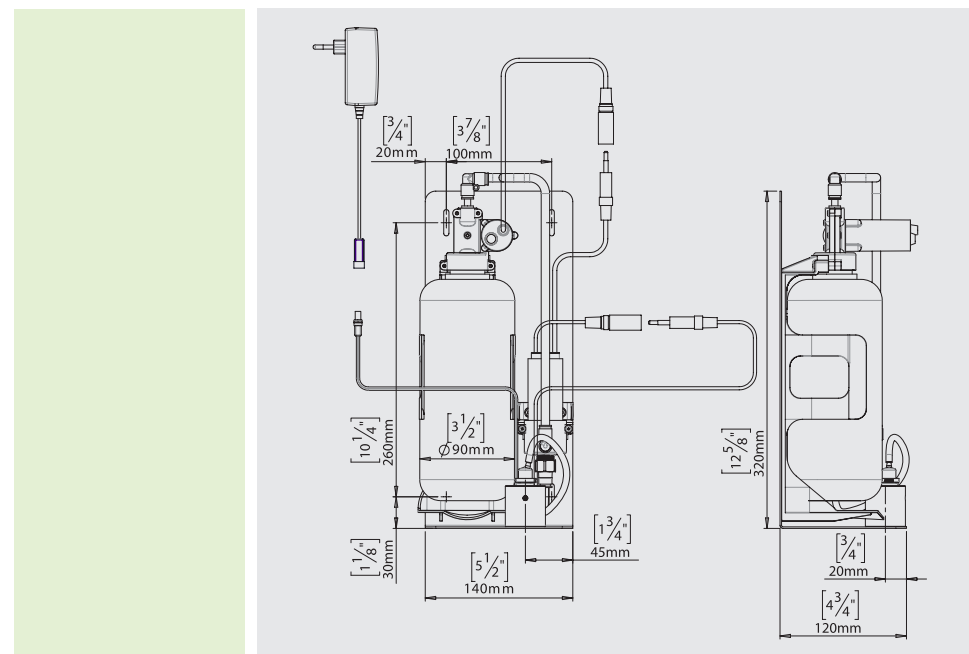
PRODUCT NAME	POWER	PART NUMBER
ESPEJO ESPUMA FOAM DISPENSER	12V transformer	KSL00937

SOAP DISPENSERS OPTIONS

PRODUCT NAME	PART NUMBER
Remote control for foam SD	KSL01031



KS
Kassel Sanitär



Kassel Sanitär S.L.

- Avda. de Castilla, 1 - Polígono Industrial, 28830 San Fernando de Henares, Madrid, **Spain**
- Daimlerstraße 2, D-93133 Burglengenfeld, **Germany**

Tel. +34 916 778 993 | Fax. +34 916 777 774 | info@kassel.es | www.kassel.es