

FLAMINGO N SIDE INLET

TOUCH-FREE ELECTRONIC FLUSH VALVE FOR W.C.

SPECIFICATIONS

Touch-free electronic flush valve with a mechanical override button. Activated by infrared sensor. Shut-off valve and filter are included. Powered by a 9V battery or a 9V transformer. Battery versions include a low battery level indicator. With a 24-hour hygiene flush. Adjustable settings by remote control: sensor range, security time, delay in, delay out, on-off and reset to factory settings. Low consumption options and pre-flush operation are available upon request.

OPERATION

Touch-free electronic flush valve for W.C. Water will flush once the user moves away from the W.C. Flush valve with dual flush operation Water will flush after the user moves away from the toilet. If the user spends less than one minute in front of the sensor, a half flush (3 liters) will take place. For more than one minute, a full flush (4.5 liters) will take place.

APPLICATION

Helps washrooms stay clean and saves water. Ideal for educational institutions, gas stations, restaurants. In addition, its minimalistic style makes it perfect for any locations with high design standards.

PRODUCT AT A GLANCE

Installation	Exposed wall-mounted
Power Supply	· 9V battery · 9V transformer
Operating pressure	1.0-8.0 bar / 14.5-116.0 psi

ORDERING INFORMATION

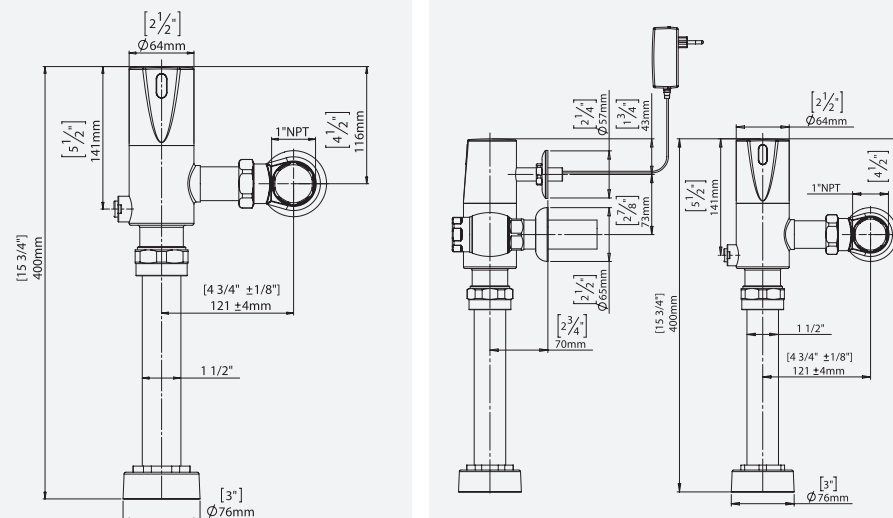
PRODUCT NAME	PART NUMBER	POWER OPTIONS	ADDITIONAL SPECIFICATIONS
FLAMINGO N SIDE INLET	KSL00670	9V battery or 9V transformer	1.6 GPF With manual override activation

OPTIONAL ACCESSORIES

PRODUCT NAME	PART NUMBER
Remote control	KSL01030



KS
Kassel Sanitär



Kassel Sanitär S.L.

- Avda. de Castilla, 1 - Polígono Industrial, 28830 San Fernando de Henares, Madrid, Spain
- Daimlerstraße 2, D-93133 Burglengenfeld, Germany

Tel. +34 916 778 993 | Fax. +34 916 777 774 | info@kassel.es | www.kassel.es