

# FLAMINGO MURAL

Electronic dual flush valve for toilet, concealed installation, activated by infrared sensor. It features a mechanical override push button for manual operation.

Dual flush system: when the user is within the sensor range for less than one minute, a reduced flush (3 liters) will take place; if the user is present within the sensor range for more than one minute, a complete (6 liters) flush will take place.

Auto-adjustable sensor range which adapts to the site conditions. Remote control available to adjust the following factory settings: sensor range, flush time, delay in time, delay out time, On/Off, reset.

This flush valve features a low-battery indicating system and an automatic hygienic flush in case the product has not been used in 24 hours.

## PRODUCT AT A GLANCE

Operation	Flush takes place when the user leaves the toilet after use. Reduced or complete flush is activated according to the amount of time the user has spent at the toilet.
Power supply options	9 V lithium battery, located within the product's body, or 9 V transformer.
Recommended pressure	1.0-8.0 bar (14.5-116 PSI)
Shut-off valve and filter	Internal. Included

## ORDERING INFORMATION

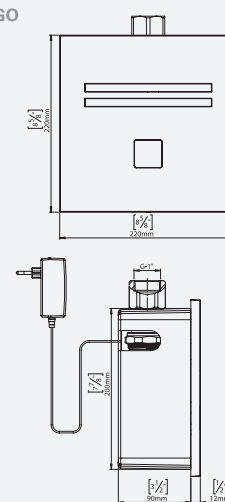
PRODUCT	CÓDIGO	POWER SUPPLY	FLUSH OPTIONS	INSTALLATION
FLAMINGO MURAL	KSL00533	<ul style="list-style-type: none"> <li>• 9V battery</li> <li>• Transformer</li> </ul>	<ul style="list-style-type: none"> <li>• Low consumption 3/6 LPM</li> <li>• LEED projects 3/4,5 LPM</li> </ul>	Concealed
FLAMINGO MURAL WITH IRON FRAME	KSL00537	<ul style="list-style-type: none"> <li>• 9V battery</li> <li>• Transformer</li> </ul>	<ul style="list-style-type: none"> <li>• Low consumption 3/6 LPM</li> <li>• LEED projects 3/4,5 LPM</li> </ul>	Concealed with mounting frame

## ACCESSORIES

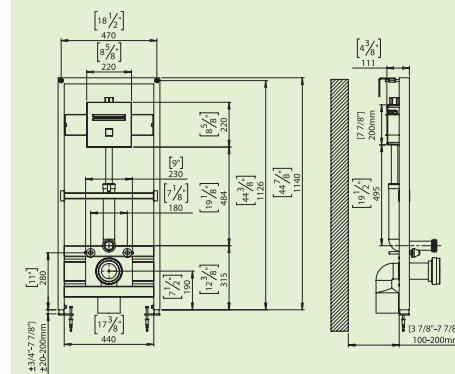
PRODUCT NAME	PART NUMBER
Remote control for settings adjustment	KSL01030



FLAMINGO MURAL



FLAMINGO MURAL WITH IRON FRAME



Kassel Sanitär S.L.

- Avda. de Castilla, 1 - Polígono Industrial, 28830 San Fernando de Henares, Madrid, Spain
- Daimlerstraße 2, D-93133 Burglengenfeld, Germany

Tel. +34 916 778 993 | Fax. +34 916 777 774 | info@kassel.es | www.kassel.es