

# JEREZ II

## 1.28 GPF SENSOR OPERATED CONCEALED FLUSH VALVE FOR WC

### SPECIFICATIONS

Touch free electronic flush valve for water closet. Solid brass valve body with heavy-duty 10" x 7" stainless steel AISI316 panel complete with tamper proof screws for increased vandal protection. Automatic infrared sensor activated by self-adjusting detection range, includes a 6 second delay-in time to avoid unwanted flushing. Features a manual or piezo override push button anti-block feature. Concealed flush valve with 1" angle stop and 1.5" vacuum breaker set. Includes an adjustable tail piece connection and self-cleaning piston mechanism complete with debris screen and solenoid valve. Powered by a 6 x 1.5V batteries or 9V transformer. Flushing duration and other settings adjustable by remote control. ADA Compliant. Standard: ASSE 1037-1990 and CSA B125.3-2012.

### PRODUCT AT A GLANCE

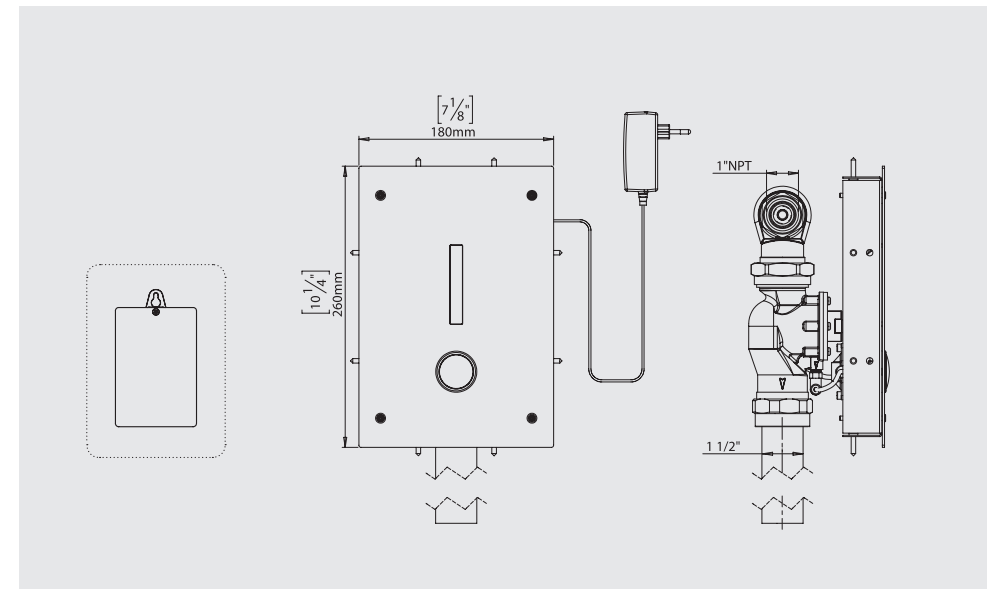
<b>Installation</b>	Concealed flush valve with 1" angle stop and 1.5" vacuum breaker set
<b>Operating pressure</b>	0.1-8.0 bar / 14.50-116 PSI
<b>Power Supply</b>	6 x 1.5V Batteries or 9V transformer
<b>Panel</b>	Heavy-duty 10" x 7" stainless steel AISI316 panel complete with tamper proof screws for increased vandal protection.
<b>Connection</b>	Spud coupling and flange for top or rear spud connection
<b>Automatic Hygiene Flush</b>	Optional feature after 24 hours of inactivity
<b>Piston valve</b>	Self cleaning with 360° filter screen
<b>Override Feature</b>	Manual button or Piezo touch with anti-block feature
<b>Flush cycle</b>	1.28 GPF / 4.9 LPF

### ORDERING INFORMATION

PRODUCT NAME	PART NUMBER	POWER OPTIONS	ADDITIONAL SPECIFICATIONS
JEREZ II	KSL00677	6 x 1.5V Batteries or 9V transformer	Override push button with anti-block feature: it is manual by default but it can be Piezo upon request.

### OPTIONAL ACCESSORIES

PRODUCT NAME	PART NUMBER
REMOTE CONTROL	KSL01030



### Kassel Sanitär S.L.

- Avda. de Castilla, 1 - Polígono Industrial, 28830 San Fernando de Henares, Madrid, Spain
- Daimlerstraße 2, D-93133 Burglengenfeld, Germany

Tel. +34 916 778 993 | Fax. +34 916 777 774 | info@kassel.es | www.kassel.es