

# MIRANDA DÚO

## TOUCH-FREE ELECTRONIC LAVATORY FAUCET

### SPECIFICATIONS

Touch-free electronic faucet for deck-mounted installations. Cold or hot water. Activated by Infrared sensor. Chrome plated body, other finishes available. Includes a low battery indicator. The line has an Infrared sensor and a solenoid valve inside the product's body for added vandal resistance. 24 hour mandatory hygiene flush can be provided upon request. Adjustable setting by remote control: sensor range, security time, delay in, delay out, on-off and reset to factory settings.

### OPERATION

Touch-free electronic faucet. The faucet is automatically activated when the users place their hands in the sensor range and stops when the users remove their hands.

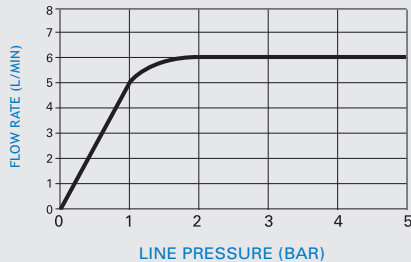
### APPLICATION

Deck-mounted faucet combining an elegant design with anti-vandal features. Helps washrooms cleanliness, saves water and prevents cross contamination. Ideal for shopping malls, hotels, sport facilities, entertainment centers.

### PRODUCT AT A GLANCE

<b>Installation</b>	Deck-mounted
<b>Power Supply</b>	<ul style="list-style-type: none"> <li>External battery box with 9V alkaline battery</li> <li>9V Transformer</li> </ul>
<b>Operating pressure</b>	0.5-8.0 bar / 7.0-116.0 psi
<b>Water Supply</b>	Hot and cold water
<b>Water flow</b>	6 LPM / 1.58 GPM - SSR PCA stream
<b>Water Saving Options</b>	4 LPM / 1 GPM ; 3 LPM / 0.8 GPM 1.89 LPM / 0.5 GPM ; 1.3 LPM 0.35 GPM - PCA spray
<b>Water Temperature</b>	70°C Maximum
<b>Security Time</b>	Auto shutoff after 90 seconds. adjustable by remote control

6 LPM FLOW CHART



### OPTIONAL ACCESSORIES

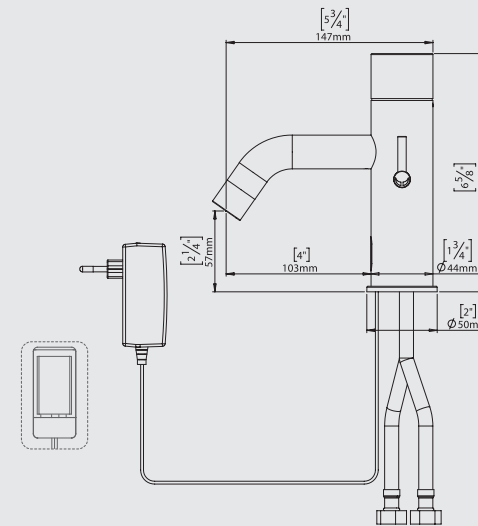
PRODUCT NAME	PART NUMBER
Remote Control	KSL001030
Matching MIRANDA SOAP DISPENSER	KSL00910

### ORDERING INFORMATION

PRODUCT NAME	PART NUMBER	POWER OPTIONS
MIRANDA DÚO	KSL00020	<ul style="list-style-type: none"> <li>9V battery</li> <li>9V Transformer</li> </ul>



**KS**  
Kassel Sanitär



### Kassel Sanitär S.L.

- Avda. de Castilla, 1 - Polígono Industrial, 28830 San Fernando de Henares, Madrid, **Spain**
- Daimlerstraße 2, D-93133 Burglengenfeld, **Germany**

Tel. +34 916 778 993 | Fax. +34 916 777 774 | info@kassel.es | www.kassel.es