

MIRANDA

TOUCH-FREE ELECTRONIC LAVATORY FAUCET

SPECIFICATIONS

Touch-free electronic faucet for deck-mounted installations. Cold or pre-mixed water. Activated by Infrared sensor. Chrome plated body, other finishes available. Includes a low battery indicator. The line has an Infrared sensor and a solenoid valve inside the product's body for added vandal resistance. 24 hour mandatory hygiene flush can be provided upon request. Adjustable setting by remote control: sensor range, security time, delay in, delay out, on-off and reset to factory settings.

OPERATION

Touch-free electronic faucet. The faucet is automatically activated when the users place their hands in the sensor range and stops when the users remove their hands.

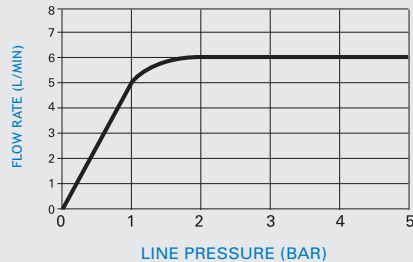
APPLICATION

Deck-mounted faucet combining an elegant design with anti-vandal features. Helps washrooms cleanliness, saves water and prevents cross contamination. Ideal for shopping malls, hotels, sport facilities, entertainment centers.

PRODUCT AT A GLANCE

Installation	Deck-mounted
Power Supply	<ul style="list-style-type: none"> External battery box with 9V alkaline battery 9V Transformer
Operating pressure	0.5-8.0 bar / 7.0-116.0 psi
Water Supply	Cold or pre-mixed water
Water flow	6 LPM / 1.58 GPM - SSR PCA stream
Water Saving Options	4 LPM / 1 GPM ; 3 LPM / 0.8 GPM 1.89 LPM / 0.5 GPM ; 1.3 LPM 0.35 GPM - PCA spray
Water Temperature	70°C Maximum
Security Time	Auto shutoff after 90 seconds. adjustable by remote control

6 LPM FLOW CHART



OPTIONAL ACCESSORIES

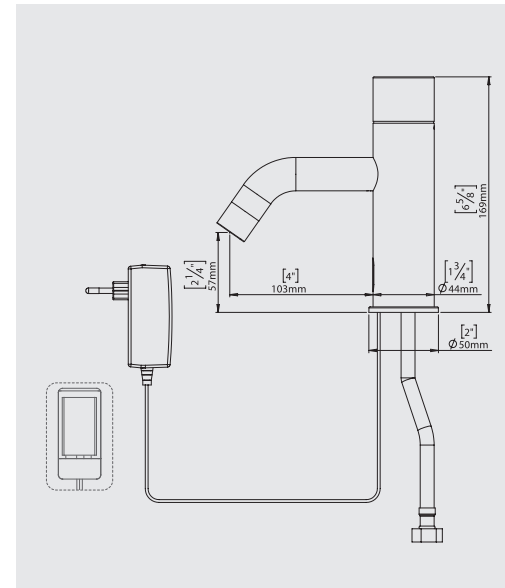
PRODUCT NAME	PART NUMBER
Remote Control	KSL001030
Matching MIRANDA SOAP DISPENSER	KSL00910

ORDERING INFORMATION

PRODUCT NAME	PART NUMBER	POWER OPTIONS
MIRANDA	KSL00010	<ul style="list-style-type: none"> 9V battery 9V Transformer



KS
Kassel Sanitär



Kassel Sanitär S.L.

- Avda. de Castilla, 1 - Polígono Industrial, 28830 San Fernando de Henares, Madrid, Spain
- Daimlerstraße 2, D-93133 Burglengenfeld, Germany

Tel. +34 916 778 993 | Fax. +34 916 777 774 | info@kassel.es | www.kassel.es