

MIRANDA CONTACT

ELECTRONIC LAVATORY FAUCET

SPECIFICATIONS

Electronically operated self closing lavatory faucet, activated by touching the designated area in the faucet cap. For premixed water. Available with an externally mounted 9V battery or a 9V transformer. Latching solenoid valve is located above deck inside the product. Filters included. The faucet will automatically shut off after a flow time of 8 seconds. The flow time is adjustable on site if required.

OPERATION

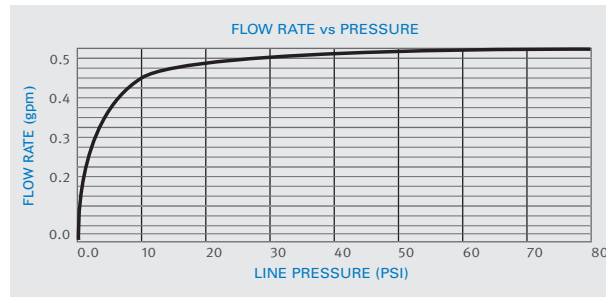
When a user touches the designated area in the middle of the faucet's cap, a flow cycle of 8 seconds will be completed. If the user does not need more water, he can touch the designated area again to stop the water flow before the default flow time ends.

APPLICATION

Deck mounted faucet combining an elegant minimalist design with anti-vandal features. Enables an easy installation and is long lasting even in the harshest installation sites. Helps washrooms to stay cleaner and save water. Prevents cross contamination.

PRODUCT AT A GLANCE

Installation	Lavatory mounted
Power supply	• 9 V battery • 9VTransformer
Operating pressure	0.5-8.0 bar / 7.0-116.0 psi
Water supply	Cold or premixed water
Water flow	6 LPM / 1.58 GPM Optional upon special request: 4 LPM / 1 GPM, 1.89 LPM / 0.5 GPM
Water saving options	• 4 LPM / 1 GPM • 3 LPM / 0.8 GPM • 1.89 LPM / 0.5 GPM • 1.3 LPM/0.35 GPM - PCA spray
Water temperature	70°C Maximum



This graph applies to 0.5 GPM option only.

OPTIONAL ACCESSORIES

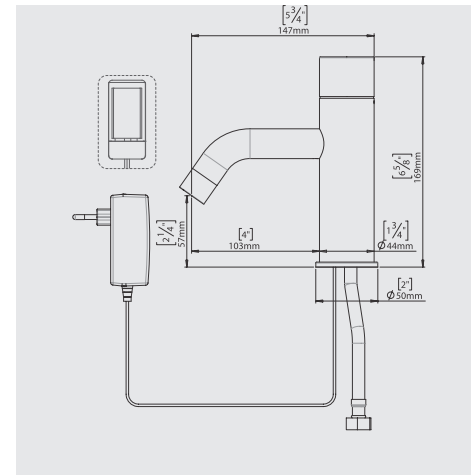
PRODUCT NAME	PART NUMBER
Remote Control	KSL01030

ORDERING INFORMATION

PRODUCT NAME	PART NUMBER
MIRANDA CONTACT	KSL00250



KS
Kassel Sanitär



Kassel Sanitär S.L.

- Avda. de Castilla, 1 - Polígono Industrial, 28830 San Fernando de Henares, Madrid, Spain
- Daimlerstraße 2, D-93133 Burglengenfeld, Germany

Tel. +34 916 778 993 | Fax. +34 916 777 774 | info@kassel.es | www.kassel.es