

NUEVA SOAP DISPENSER

SPECIFICATIONS

Touch free electronic soap dispenser for deck mounted installations. Activated by infrared sensor. Chrome plated body, other finishes available. Include a 1 liter soap bottle and bottle support. Optional for remote installation: extension cable and longer piping. The following functions can be performed by using Stern remote control: soap quantity selection, refill the soap tank, temporary off, coming back to factory settings.

OPERATION

Touch free electronic soap dispenser. The dispenser is activated automatically when the user brings his hands within the sensor range, and stops when the user removes his hands.

APPLICATION

Closing automatically without dripping, Stern's touch free soap dispenser helps to ensure that the bathroom will stay organized and neat. Combined with Trendy touch free electronic faucet, it creates a germ free and automated environment.

PRODUCT AT A GLANCE

Installation	Deck-mounted
Power Supply Options	<ul style="list-style-type: none"> Battery Box for 6D batteries 12V transformer
Soap	1 Liter soap bottle. This soap dispenser includes a peristaltic pump that allows the use of any kind of liquid soap, detergent or antibacterial gel
Soap dosage	Default setting: 1.2-1.6 cc Adjustable by remote control in accordance to the selected soap
Soap Viscosity	100-3800 cPs
Refill	Soap priming operated by remote control or by easy-to-use manual refill button

ORDERING INFORMATION

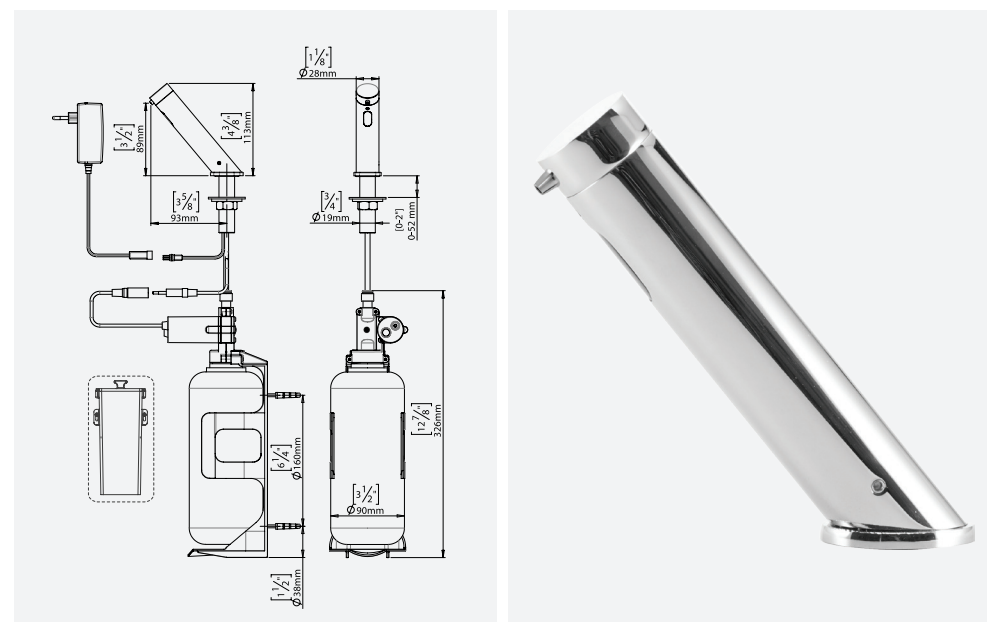
PRODUCT NAME	CODE
NUEVA SOAP DISPENSER	KSL00975
NUEVA SOAP DISPENSER SIX-PACK	KSL00976

SOAP DISPENSERS OPTIONS

PRODUCT NAME	PART NUMBER
Remote control	KSL01060
Matching Faucet - NUEVA	KSL00120



KS
Kassel Sanitär



Kassel Sanitär S.L.

- Avda. de Castilla, 1 - Polígono Industrial, 28830 San Fernando de Henares, Madrid, **Spain**
- Daimlerstraße 2, D-93133 Burglengenfeld, **Germany**

Tel. +34 916 778 993 | Fax. +34 916 777 774 | info@kassel.es | www.kassel.es