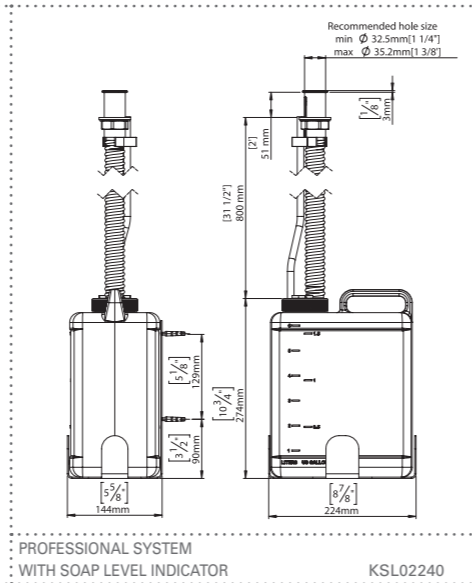


PROFFESIONAL SYSTEMS FOR MULTIPLE SOAP DISPENSER INSTALLATION

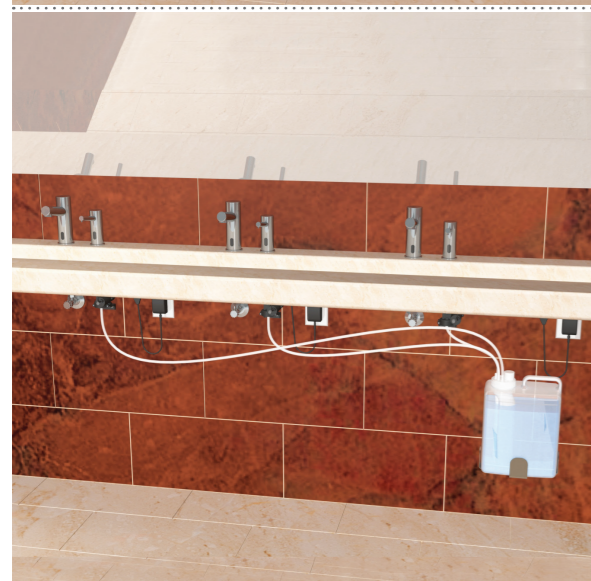
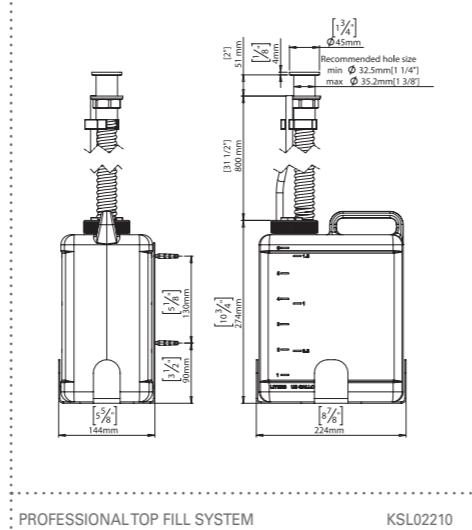
ALLOWS TO INSTALL UP TO 6 SOAP DISPENSERS TOGETHER TO BE FEEDED SIMULTANEOUSLY FROM THE 6-LITER TANK THAT INCLUDES A STAINLESS STEEL SUPPORT



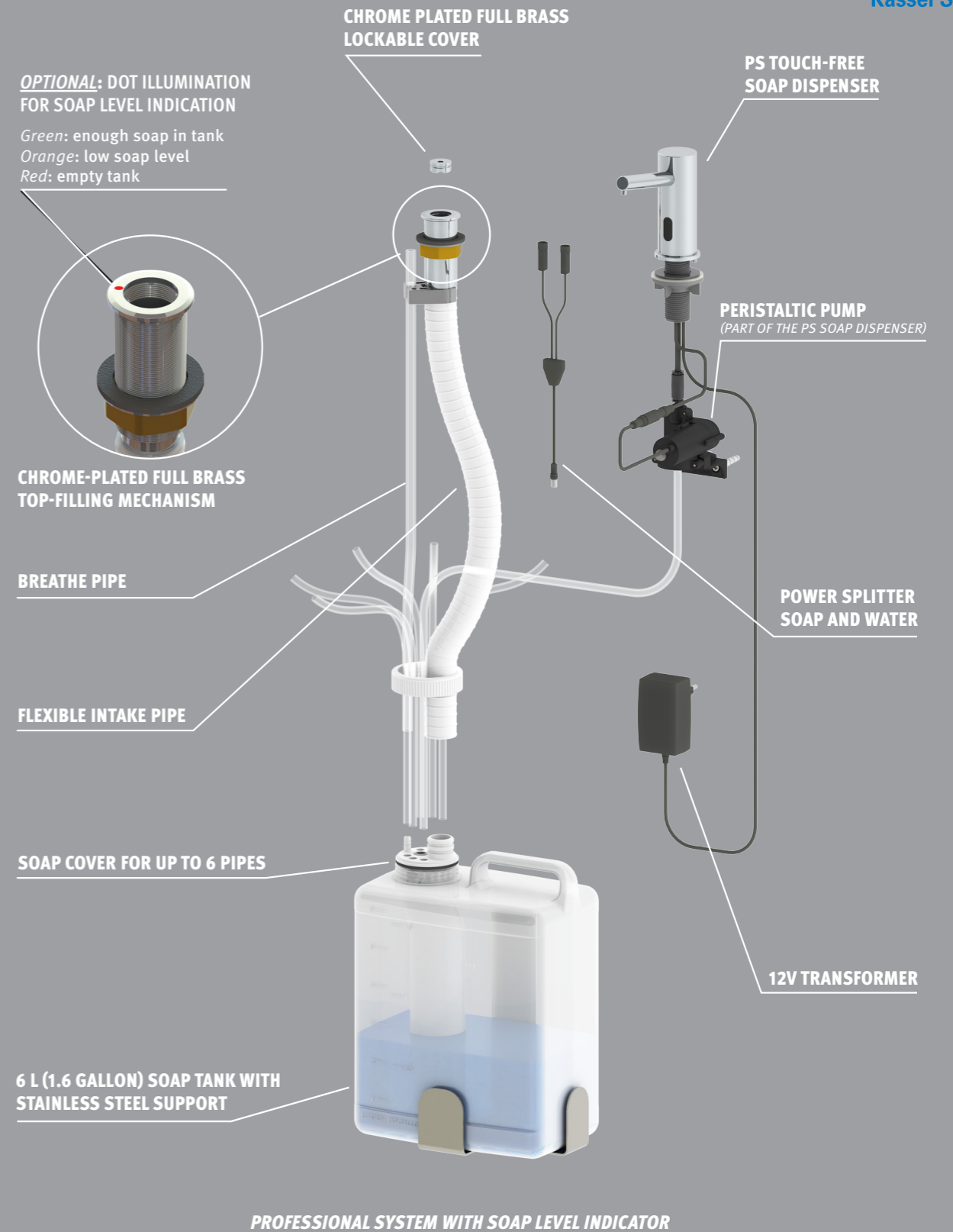
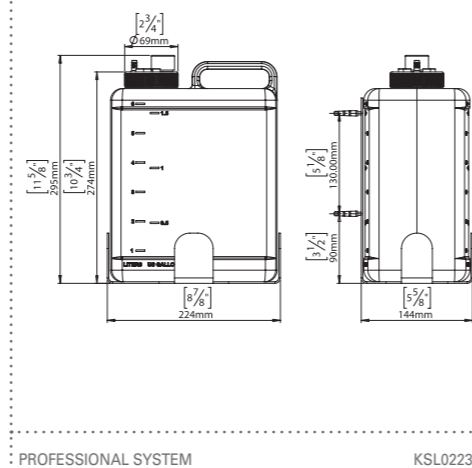
Vandal-resistant chrome-plated brass top filling mechanism
LED light soap level indicator
Included power splitter for PS soap dispenser transformer



Vandal-resistant chrome-plated brass mechanism
Available for transformer powered PS soap dispensers



For multiple soap dispensers installation without connecting a top filling mechanism through the deck
Available for transformer powered PS soap dispensers



Kassel Sanitär S.L.

- Avda. de Castilla, 1 - Polígono Industrial, 28830 San Fernando de Henares, Madrid, Spain
- Daimlerstraße 2, D-93133 Burglengenfeld, Germany

Tel. +34 916 778 993 | Fax. +34 916 777 774 | info@kassel.es | www.kassel.es