

# RONDA & RONDA DÚO

## TOUCH-FREE ELECTRONIC LAVATORY FAUCET

### SPECIFICATIONS

Heavy duty wall mounted electronic faucet, activated by an infrared sensor. Powered by an internal 9V battery for theft prevention. Includes a low battery level indicator. Latching solenoid valve located inside the product for added vandal protection. Filters included. RONDA is for cold or premixed water (one inlet). RONDA DÚO (two inlets) has a mixing handle for water temperature adjustment. Customizable settings by optional remote control: Sensor range, Security time, Delay In, Delay Out and On-Off. 24 hour mandatory hygiene flush option available upon request.

### OPERATION

Touch-free electronic faucet operated by an infrared sensor. The faucet automatically activates when users place their hands within sensor range and deactivates when removed from the sensor range.

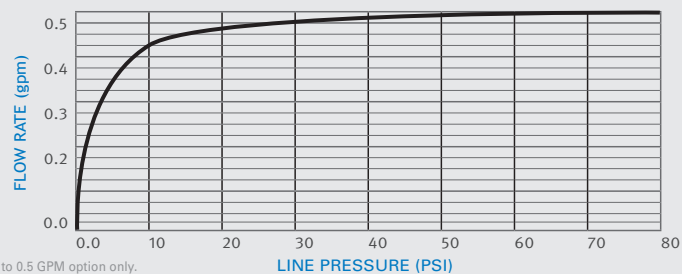
### APPLICATION

Wall mounted faucet combining an elegant design with anti-vandal features. Helps washrooms remain clean, saves water and aids in cross contamination prevention. Ideal for hospitals, laboratories and medical clinics.

### PRODUCT AT A GLANCE

<b>Installation</b>	Wall mounted
<b>Power Supply</b>	9V battery
<b>Operating pressure</b>	0.5-8.0 bar / 7.0-116.0 psi For greater water pressure please use a pressure reducing valve
<b>Water Supply</b>	RONDA: Cold or premixed water / RONDA DÚO: Hot and cold water
<b>Water flow</b>	6 LPM / 1.58 GPM - SSR PCA stream
<b>Water Saving Options</b>	4 LPM / 1 GPM ; 3 LPM / 0.8 GPM 1.89 LPM / 0.5 GPM ; 1.3 LPM 0.35 GPM - PCA spray
<b>Water Temperature</b>	70°C Maximum
<b>Security Time</b>	Auto shutoff after 90 seconds. Customizable by remote control

FLOW RATE vs PRESSURE



### ORDERING INFORMATION

MODEL	CODE	POWER
RONDA	KSL00360	9V battery
RONDA DÚO	KSL00370	9V battery

### OPTIONS

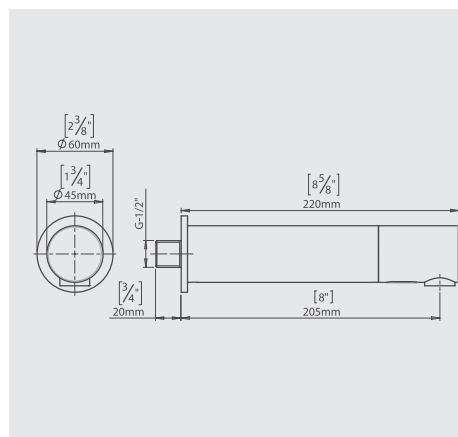
OPTION	CODE
Remote control	KSL01030
Matching RONDA SD	KSL00935
Matching RONDA WALL MOUNTED SD	KSL00930



RONDA



RONDA DÚO



### Kassel Sanitär S.L.

- Avda. de Castilla, 1 - Polígono Industrial, 28830 San Fernando de Henares, Madrid, **Spain**
- Daimlerstraße 2, D-93133 Burglengenfeld, **Germany**

Tel. +34 916 778 993 | Fax. +34 916 777 774 | info@kassel.es | www.kassel.es