

RONDA N DÚO DP / DP LONG

TOUCH-FREE ELECTRONIC WALL-MOUNTED FAUCET

SPECIFICATIONS

Touch-free electronic faucet for wall-mounted installations.

Activated by an infrared sensor. With mixer for water temperature adjustment for hot and cold water. Filters included. Long spout version available 220 mm / 8.66". Powered by our external IP67 Dual power input box with a 9V battery. The faucet can also be powered by a 9V transformer and an integrated backup system with a 9V battery which enables normal use in case of power failure. Includes a low battery indicator. Chrome plated body, other finishes available. Adjustable setting by remote control: sensor range, security time, delay in, delay out, on-off and reset to factory settings. 24 hour mandatory hygiene available upon request.

OPERATION

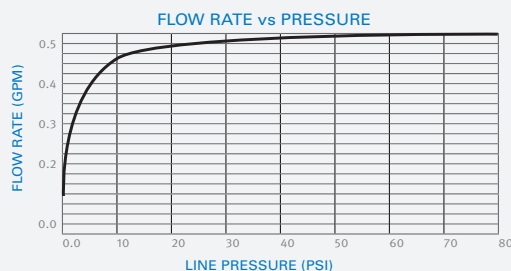
The faucet will automatically activate when users place their hands in the sensor range and will stop once the users remove their hands.

APPLICATION

Wall-mounted faucet. Combines a minimalistic design with vandal resistant features. Helps washrooms stay clean and saves water. Easy installation. Long lasting even in the harshest installation sites. Ideal for shopping malls, sport facilities and entertainment centers.

PRODUCT AT A GLANCE

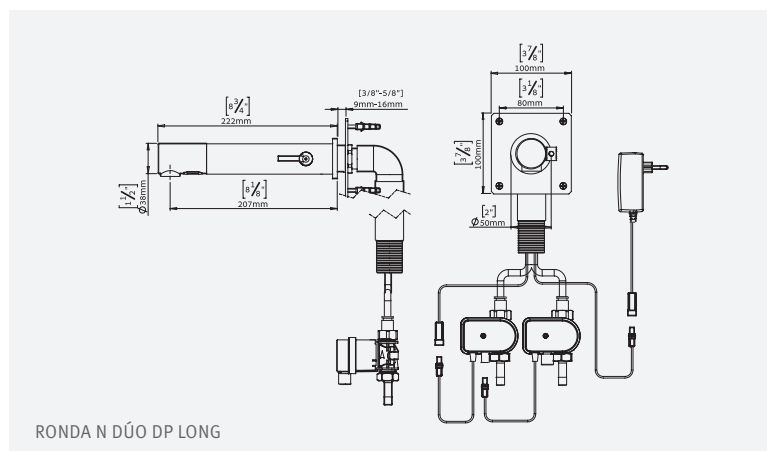
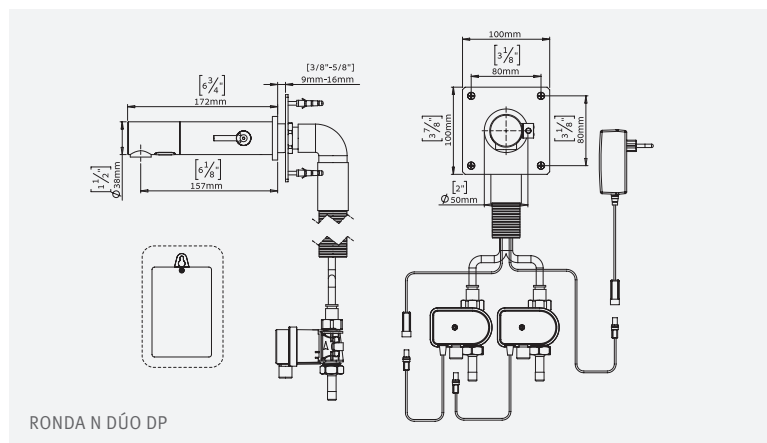
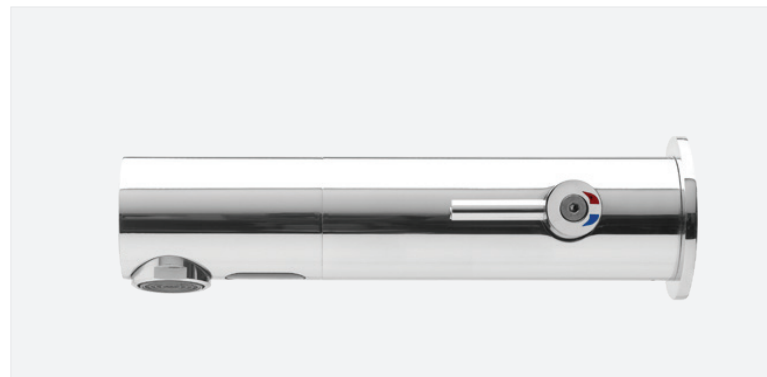
Installation	Wall-mounted
Power Supply	9V transformer or 9V battery
Operating pressure	0.5-8.0 bar / 7.0-116.0 PSI
Water supply	Hot and cold water
Water flow	6 LPM / 1.58 GPM - SSR PCA stream
Water Saving Options	4 LPM / 1 GPM ; 3 LPM / 0.8 GPM 1.89 LPM / 0.5 GPM ; 1.3 LPM 0.35 GPM - PCA spray
Water temperature	70°C Maximum
Security Time	90 seconds. Adjustable by remote control



ORDERING INFORMATION

OPTIONS

MODEL	CODE	POWER	ADDITIONAL FEATURES	OPTION	CODE
RONDA N DÚO DP	KSL00174	9V Transformer /9V Battery	For plaster and dry wall; and brick wall and concrete installations	Remote control	KSL01030
RONDA N DÚO DP LONG	KSL00179	9V Transformer /9V Battery	For plaster and dry wall; and brick wall and concrete installations with long spout 220 mm / 8.66"	Matching soap dispenser	Upon request



Kassel Sanitär S.L.

- Avda. de Castilla, 1 - Polígono Industrial, 28830 San Fernando de Henares, Madrid, Spain
- Daimlerstraße 2, D-93133 Burglengenfeld, Germany

Tel. +34 916 778 993 | Fax. +34 916 777 774 | info@kassel.es | www.kassel.es