

SINTRA TWINS

TOUCH-FREE DECK-MOUNTED ELECTRONIC FAUCET AND SOAP DISPENSER IN A SINGLE UNIT

SPECIFICATIONS

Touch-free deck-mounted electronic faucet and soap dispenser in a single unit that are activated by concealed sensors built into the spouts.

ABOUT THE FAUCET: For cold or premixed water. Activated by concealed sensors built into the spout. Filter included. Powered by 12V transformer (battery operated version available upon request.) The following functions can be performed using the optional remote control: faucet sensor range, security time, delay in, delay out, on-off and reset to factory settings.

ABOUT THE SOAP DISPENSER: Closes automatically without dripping. Includes a 1 liter soap bottle and bottle support for the soap dispenser. Powered by 12V transformer (battery operated version available upon request.) Peristaltic pump that allows the use of any kind of liquid soap, detergent or antibacterial gel. The following functions can be performed using the optional remote control: Soap quantity selection, soap tank refill, temporary off and back to factory settings.

OPERATION & APPLICATION

The SINTRA TWINS unit is suitable for commercial restrooms where there is only one deck opening at the basin. The touch free faucet and soap dispenser unit is automatically activated when users place their hands in the relevant sensor range and stops when the users remove their hands. Easy installation and great for retrofit where drilling a new basin opening is not an option. Long lasting even in the harshest installation sites. Helps washrooms stay clean and saves water and soap. Prevents cross contamination. Combining an elegant design with vandal-resistant features. Ideal for offices, hotels and restaurants and all commercial restroom environments.

PRODUCT AT A GLANCE

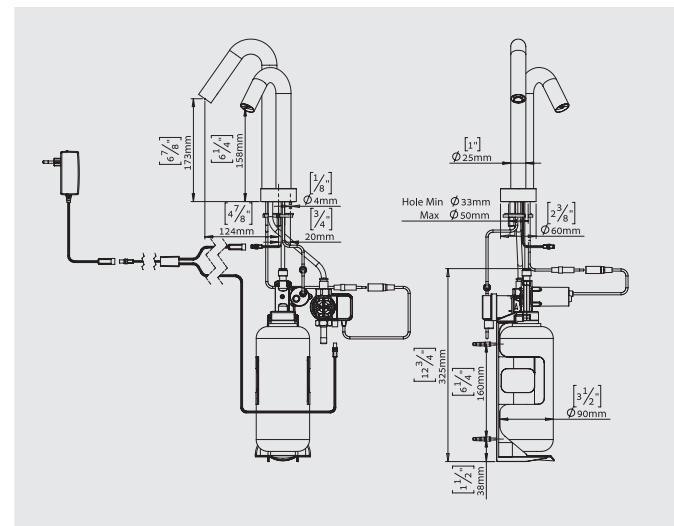
Power Supply	12V transformer (battery operated version available upon request.)
Operating pressure	0.5 - 8.0 bar (7 - 116 PSI). With a pressure over 8 bar, use a pressure reducing valve.
Water supply	Cold or premixed water
Water Saving options	0.5 GPM / 1.89 LPM - PCA spray 1.0 GPM / 4 LPM - PCA spray
Water temperature	70°C Maximum
Security Time	Auto shutoff after 90 seconds. adjustable by remote control
Soap Dose	Factory setting for 0.7 to 0.9 cc depending on the selected soap. The soap quantity can be changed using the soap dispensers remote control.

ORDERING INFORMATION

MODEL	CODE	POWER
SINTRA TWINS	Transformer	KSL01023
	Battery	Upon request

OPTIONAL ACCESSORIES

OPTIONS	CODE
Remote control	KSL01032



Kassel Sanitär S.L.

- Avda. de Castilla, 1 - Polígono Industrial, 28830 San Fernando de Henares, Madrid, Spain
- Daimlerstraße 2, D-93133 Burglengenfeld, Germany

Tel. +34 916 778 993 | Fax. +34 916 777 774 | info@kassel.es | www.kassel.es