

### SPECIFICATIONS

Touch-free deck-mounted electronic faucet. For cold or premixed water. Chrome plated body, other finishes available. Activated by concealed sensor built into the spout. Filter included. Sensor includes a low battery indicator. Adjustable settings by remote control: sensor range, security time, delay in, delay out, on-off and reset to factory settings.

It features a IP67 dual power input box that allows the faucet to be used with 9 V battery or 9 V transformer. It can be powered by a 9 V transformer and an integrated back-up system to be used with a 9 V lithium battery enabling the faucet to be used normally in case of power failure.

### OPERATION

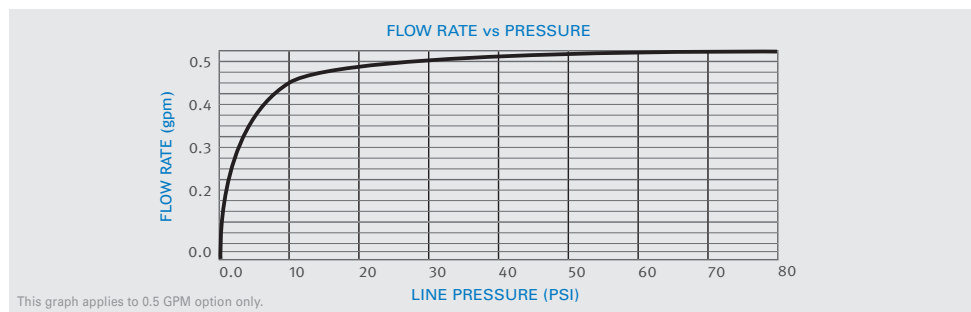
Touch-free electronic faucet. The faucet is automatically activated when users place their hands in the sensor range and stops when the users remove their hands.

### APPLICATION

Combining an elegant design with vandal-resistant features. Easy installation. Long lasting even in the harshest installation sites. Helps washrooms stay clean and saves water. Prevents cross contamination. Ideal for offices, hotels and restaurants.

### PRODUCT AT A GLANCE

Installation	Deck mounted
Power Supply	- IP67 dual power input box with 9 V battery - IP 67 dual power input box with 9 V transformer
Operating pressure	0.5 - 8.0 bar (7 - 116 PSI). With a pressure over 8 bar, use a pressure reducing valve.
Water supply	Cold or premixed water
Water Saving Options	4 LPM / 1.0 GPM - PCA spray
Water temperature	70°C Maximum
Security Time	Auto shutoff after 90 seconds. adjustable by remote control

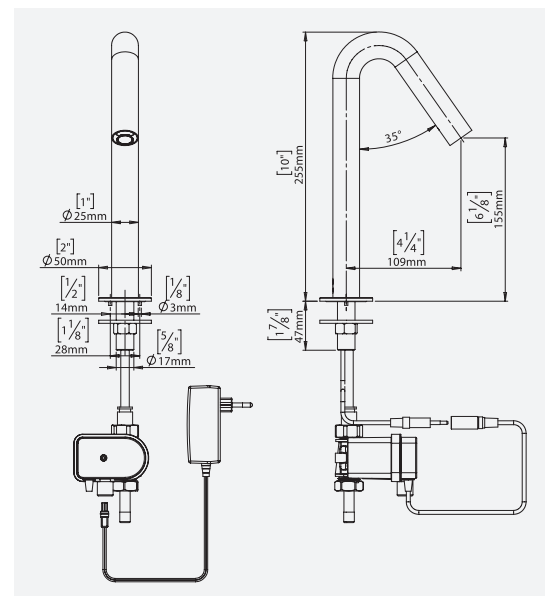


### ORDERING INFORMATION

MODEL	CODE	POWER
SINTRA	KSL00497	IP67 Dual power input box with a 9 V transformer or a 9 V battery.

### OPTIONAL ACCESSORIES

OPTIONS	CODE
Remote control	KSL01030



### Kassel Sanitär S.L.

- Avda. de Castilla, 1 - Polígono Industrial, 28830 San Fernando de Henares, Madrid, Spain
- Daimlerstraße 2, D-93133 Burglengenfeld, Germany