

THERMA

SPECIFICATIONS

Touch-free wall-mounted electronic faucet. With a mixer for water temperature adjustment for hot and cold water. Swivel Spout. Powered by an internal 9V battery. Battery version includes a low battery level indicator. Latching solenoid valve is located inside the product. Auto shutoff after 90 seconds. Adjustable settings by remote control: security time, delay in, delay out, on-off and reset to factory settings.

OPERATION

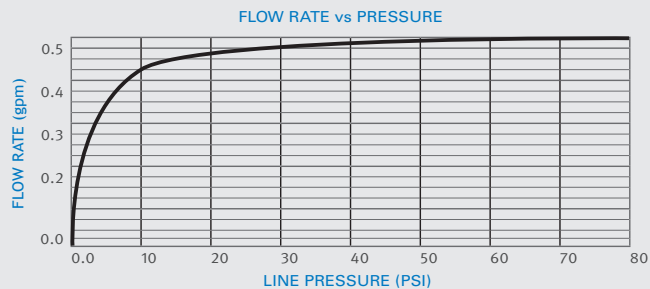
Touch-free electronic faucet. The faucet is automatically activated when users place their hands in the sensor range and stops when users move away from the sensor range.

APPLICATION

Touch-free faucet. Enables patients and medical personnel to wash hands without touching the faucet. Prevents cross contamination. Helps washrooms to stay cleaner. Ideal for hospitals, laboratories, dental clinics and commercial kitchens.

PRODUCT AT A GLANCE

Installation	Exposed wall-mounted
Power Supply	<ul style="list-style-type: none"> • 9V battery • 9V Transformer
Operating pressure	0.5-5.0 bar (7-72.5 PSI), for water pressure greater than 5.0 bar use a pressure reducing valve.
Water supply	Hot and cold water
Water flow	6 LPM / 1.58 GPM - SSR PCA stream
Water Saving Options	4 LPM / 1 GPM ; 3 LPM / 0.8 GPM 1.89 LPM / 0.5 GPM ; 1.3 LPM 0.35 GPM - PCA spray
Water temperature	70°C Maximum
SecurityTime	90 seconds. Adjustable with a remote control.



This graph applies to 0.5 GPM option only.

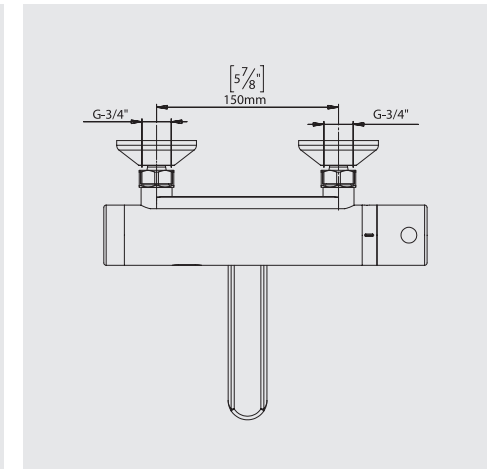
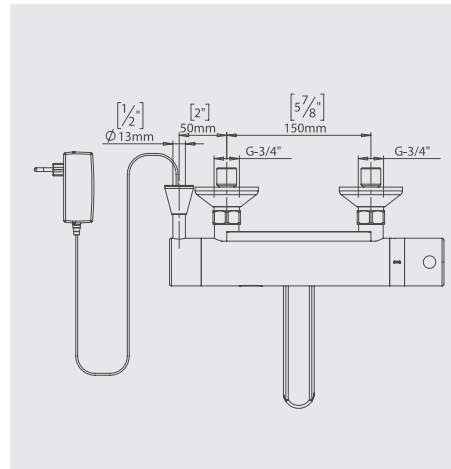
ORDERING INFORMATION

PRODUCT NAME	PART NUMBER
THERMA	KSL00350

OPTIONAL ACCESSORIES

PRODUCT NAME	PART NUMBER
REMOTE CONTROL	KSL01030

KS
Kassel Sanitär



Kassel Sanitär S.L.

- Avda. de Castilla, 1 - Polígono Industrial, 28830 San Fernando de Henares, Madrid, Spain
- Daimlerstraße 2, D-93133 Burglengenfeld, Germany

Tel. +34 916 778 993 | Fax. +34 916 777 774 | info@kassel.es | www.kassel.es