

PS MIRANDA R SOAP DISPENSER

TOUCH-FREE ELECTRONIC SOAP DISPENSER FOR PROFESSIONAL SYSTEM

SPECIFICATIONS

Touch-free electronic soap dispenser for deck mounted installation. Activated by infrared sensor. For use with any non-proprietary soap. Connects to the Professional System (PS) for soap multifeed (which can support up to six soap dispensers simultaneously). Chrome plated body, other finishes available. With a designated peristaltic pump that prevents clogging and back flow. Adjustable settings by remote control: soap quantity, soap tank refill, temporary off and reset to factory settings.

OPERATION

Touch-free electronic soap dispenser operated by infrared sensor. The soap dispenser automatically activates when users place their hands within sensor range, providing a measured amount of soap (adjustable by remote control). If the users remove the hand before the full amount is dispensed, the soap dispenser immediately stops the soap flow.

APPLICATION

With the dripless automatic shutoff, this soap dispenser helps washroom organization and cleanliness. Using the Professional System (PS), it is easily and quickly refilled and maintained. Combined with the touch-free electronic faucet, it creates a germ-free automated environment. Ideal for stadiums, train stations, other transportation hubs and highway rest stops.

PRODUCT AT A GLANCE

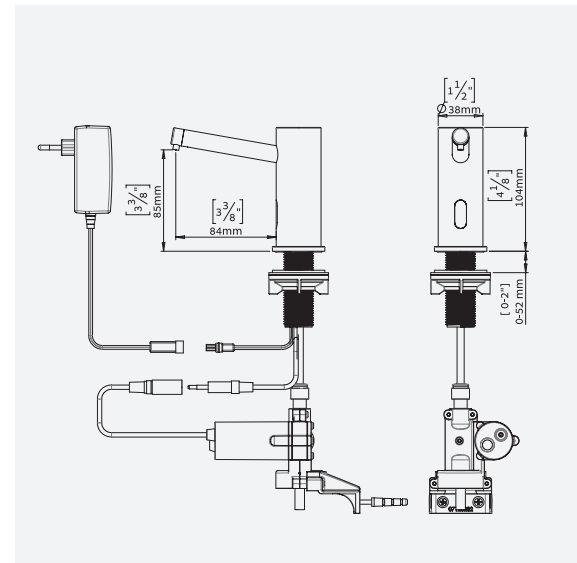
Installation	Deck-mounted
Power Supply	12 V transformer
Soap	For Professional System (PS) for soap multifeed. Peristaltic pump enables the use of any kind of liquid soap, detergent or antibacterial gel
Soap Dosage	Default setting: 1.2-1.6 cc Adjustable by remote control in accordance to the selected soap.
Refill	Soap priming operated by remote control or by easy-to-use manual refill button

ORDERING INFORMATION

PRODUCT NAME	PART NUMBER	POWER SUPPLY
PS MIRANDA R SOAP DISPENSER	KSL02120	12 V transformer

SOAP DISPENSERS OPTIONS

PRODUCT NAME	PART NUMBER
REMOTE CONTROL FOR ADJUSTING SETTINGS	KSL01060
PROFESSIONAL SYSTEM WITH SOAP LEVEL INDICATOR	KSL02240
PROFESSIONAL TOP FILL SYSTEM	KSL02210
PROFESSIONAL SYSTEM (Below deck filling)	KSL02230
MATCHING TOUCH FREE FAUCET	Upon request



Kassel Sanitär S.L.

- Avda. de Castilla, 1 - Polígono Industrial, 28830 San Fernando de Henares, Madrid, Spain
- Daimlerstraße 2, D-93133 Burglengenfeld, Germany

Tel. +34 916 778 993 | Fax. +34 916 777 774 | info@kassel.es | www.kassel.es